



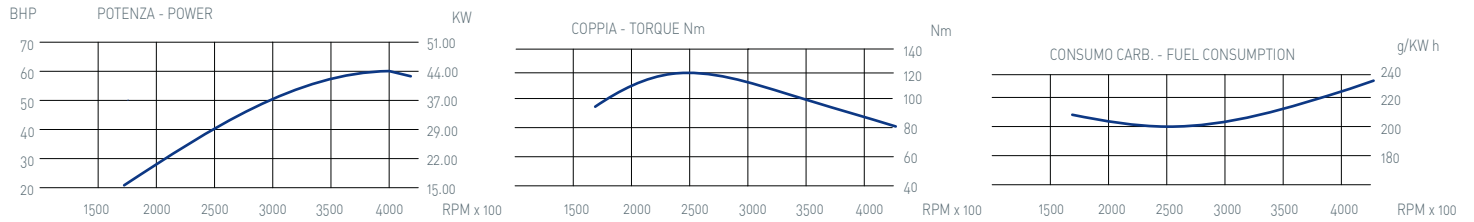
## MARINE DIESEL ENGINES



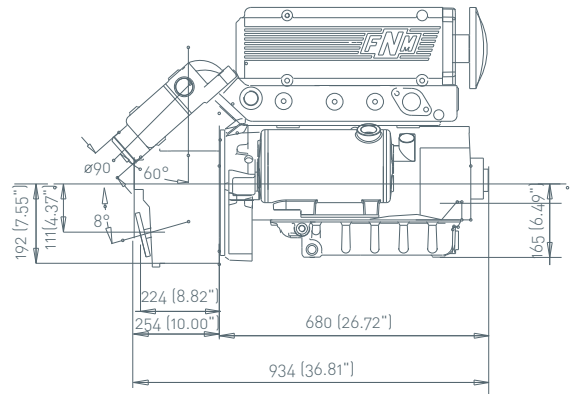
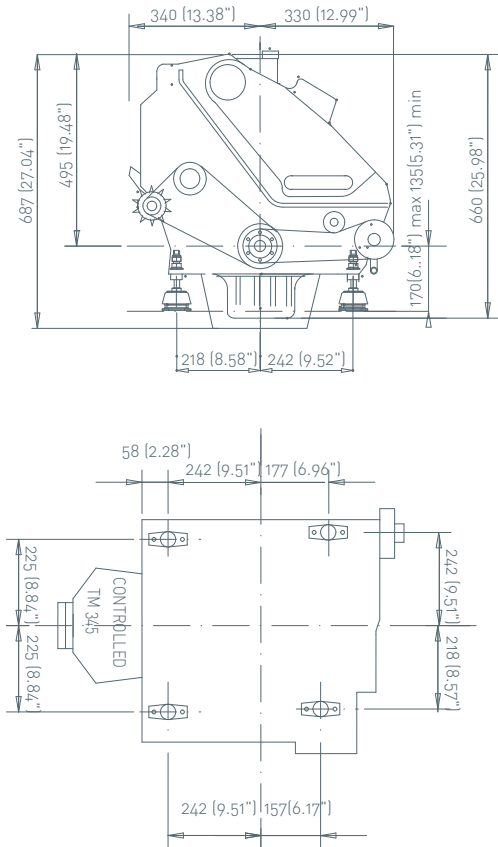
### FNM AM 60

|                              |   |
|------------------------------|---|
| Configuration                | 4-stroke cycle  |
| Maximum output at crankshaft | 44 kW/60 hp at 4000 rpm                               |
| Maximum output at propeller  | 41 kW/56 hp at 4000 rpm                               |
| Maximum torque               | 102 Nm at 2500 rpm                                    |
| Displacement                 | 1.926 c.c.  |
| Bore x stroke                | 82,55 x 90 mm   |
| Cylinders                    | 4, in-line  |
| Combustion system            | Indirect injection (I.D.I.)                           |
| Aspiration                   | Naturally aspirated                                   |
| Starting system              | Electric starting 12 V – 1,7 kW                       |
| Alternator                   | 14 V – 65 A   |
| Cooling system               | Double water cooling system with heat exchanger       |
| Lubrication system           | Totally enclosed, forced lubricating system with pump |
| Max. mounting inclination    | 13°   |
| Dry weight without gear      | 212 kg  |
| Environmental                | Meets the EU comprehensive emissions regulation 2006  |
| Engine mounting              | Rubber type anti-vibration mounting                   |

## Performance Curves [Output is according to ISO 8665 ]



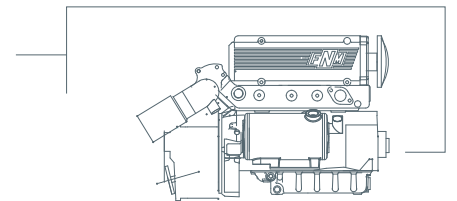
Dimensions [For detailed line-drawings, please refer to our website [www.fnm-marine.com](http://www.fnm-marine.com) or contact your supplier]



FNM AM 60 with TM 345 A gearbox

## Instrument Panel

- VDO Oil pressure
- VDO Water temperature
- VDO Rpm counter
- 4 meter cable



## Accessories

### Standard Package

- Gearbox
- Set of flexible mounts
- Alternator 14 V - 65 A with built-in regulator
- Starter motor 12 V - 1,7 kW
- Oil and fuel filters

- Stainless steel seawater-cooled elbow
- Instrument panel with 4 mt. cable
- Bronze seawater pump
- Water-cooled exhaust manifold

### Optional

- Kit for boat internal heating
- 2 mt. auxiliary extension cable

- Trolling valve
- 2-groove front pulley

Text and illustrations are not binding. CMD, owner of the FNM brand, reserves the right to introduce adaptations without prior notification. Compliant with the RCD 2003/44/CE and EPA emission standards.

